



TECHNICAL SPECIFICATIONS

VKT-117

Digital thermometer

Description:

The Digital Thermometer was designed to meet industrial applications and address temperature measurement and indication challenges. Its robust construction makes it compatible with the vast majority of industrial processes. The IP65 protection rating ensures complete protection against dust and water jets from any direction.

Operating Principle:

The Digital Thermometer measures the process temperature through the variation of its electrical resistance. As the temperature changes, the metallic sensor varies its resistance, which is measured through the connecting wires of the device. Based on this resistance value, the actual process temperature can be determined. This model features a digital display integrated into the enclosure, providing easy reading of the process temperature. It also provides a 4-20 mA output signal and a PNP contact.

Main Applications:

- Industrial process control
- Test and calibration systems
- Power generation and transmission
- Sanitation
- Food industry
- Refrigeration, ventilation, heating, and air conditioning (HVAC)
- Hydraulics
- Pneumatics

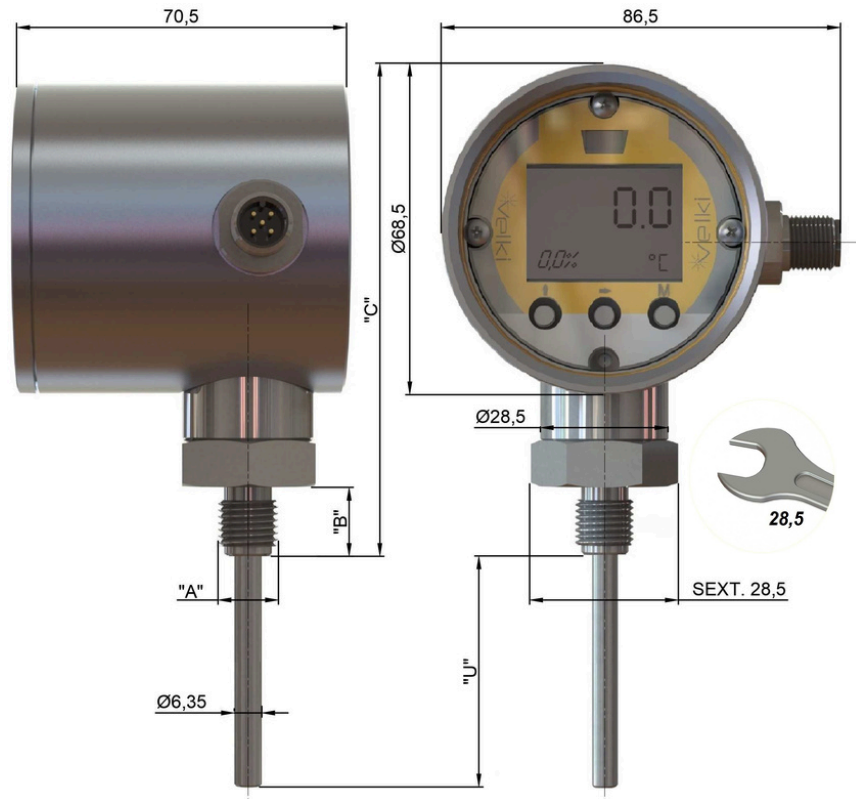
Key Features / Differentials:

- Compact design
- High accuracy
- Robust

PRODUCT DETAILS



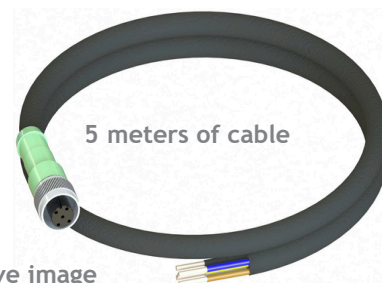
DIMENSIONAIS DATA



TECHNICAL DATA

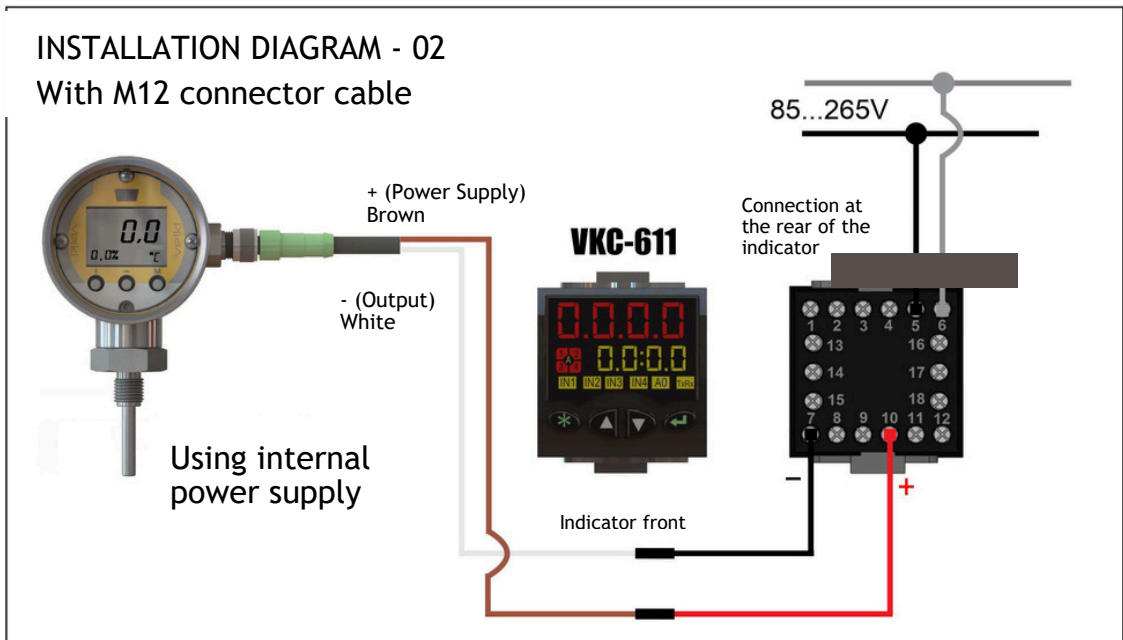
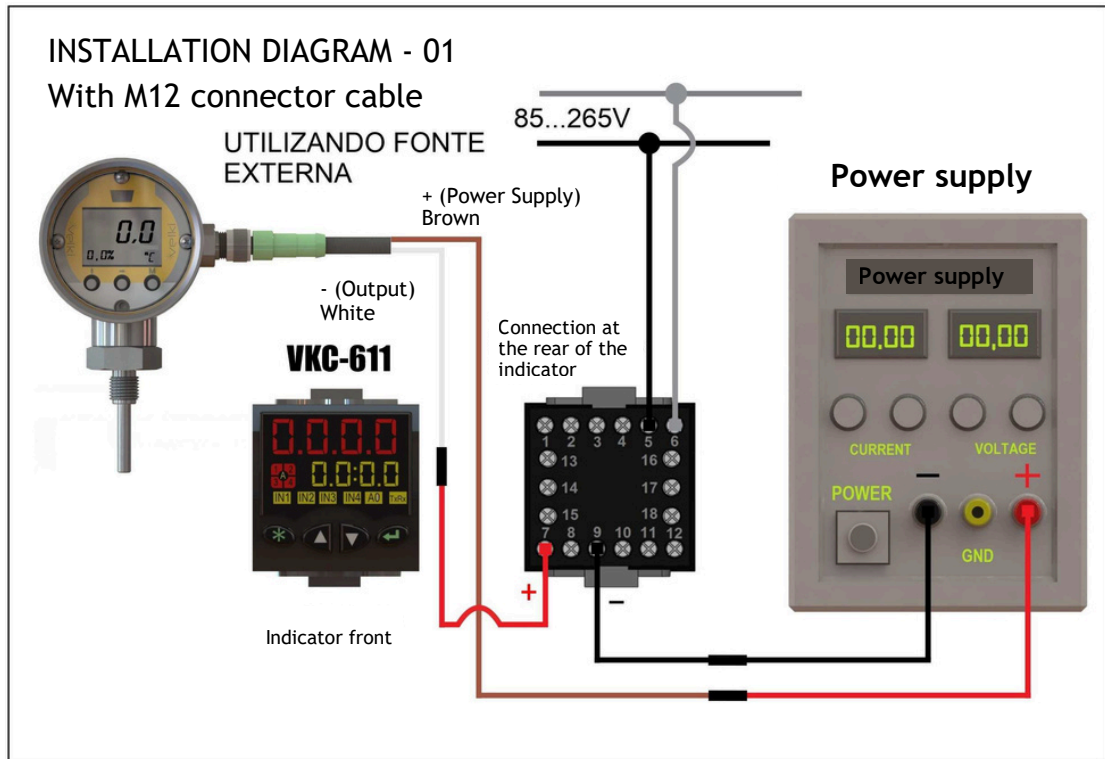
"A" THREAD	"B" THREAD LENGTH (mm)	"C" OVERALL LENGTH (mm)
1/4 " BSPM	15	103
1/4 " NPTM	15	103
1/2 " BSPM	20	108
1/2 " NPTM	20	108
3/4 " BSPM	20	108
3/4 " NPTM	20	108

SUPPLIED WITH POWER CABLE

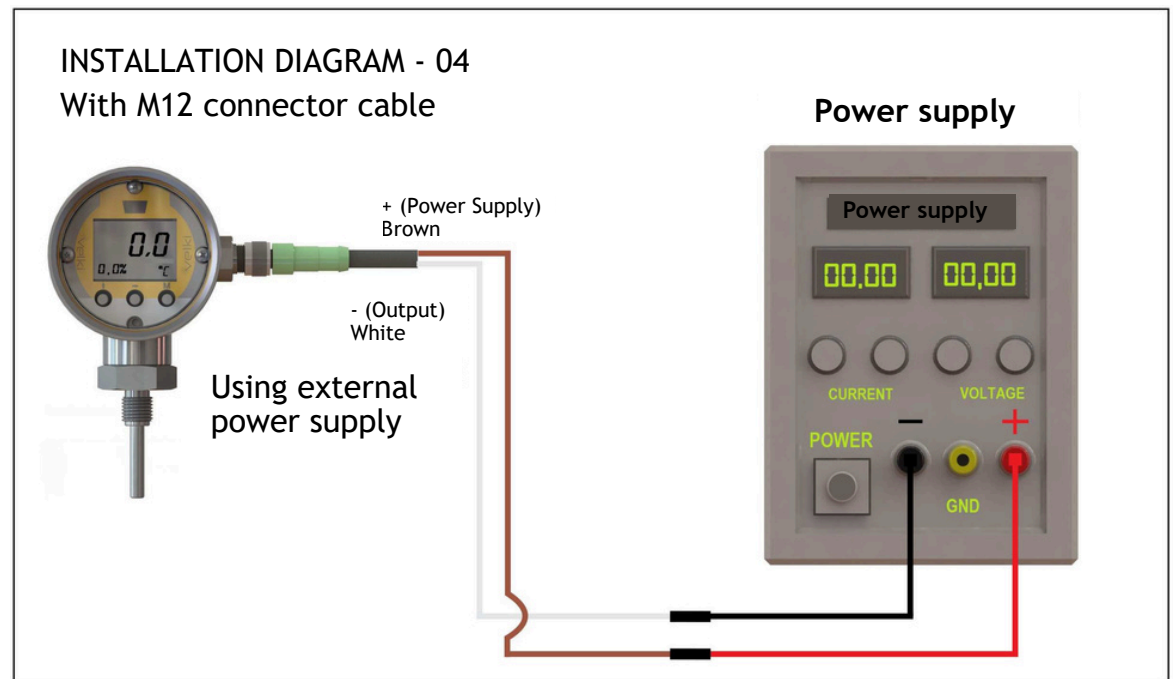
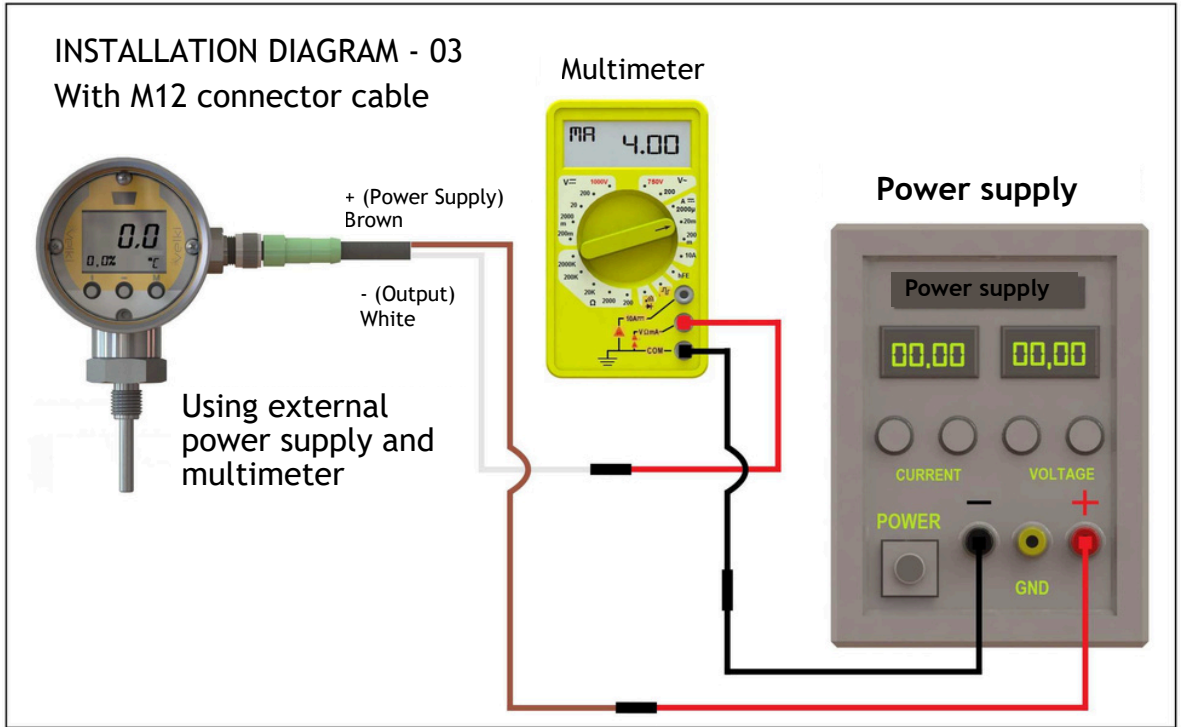


Illustrative image

■ INSTALLATION DIAGRAM



■ INSTALLATION DIAGRAM

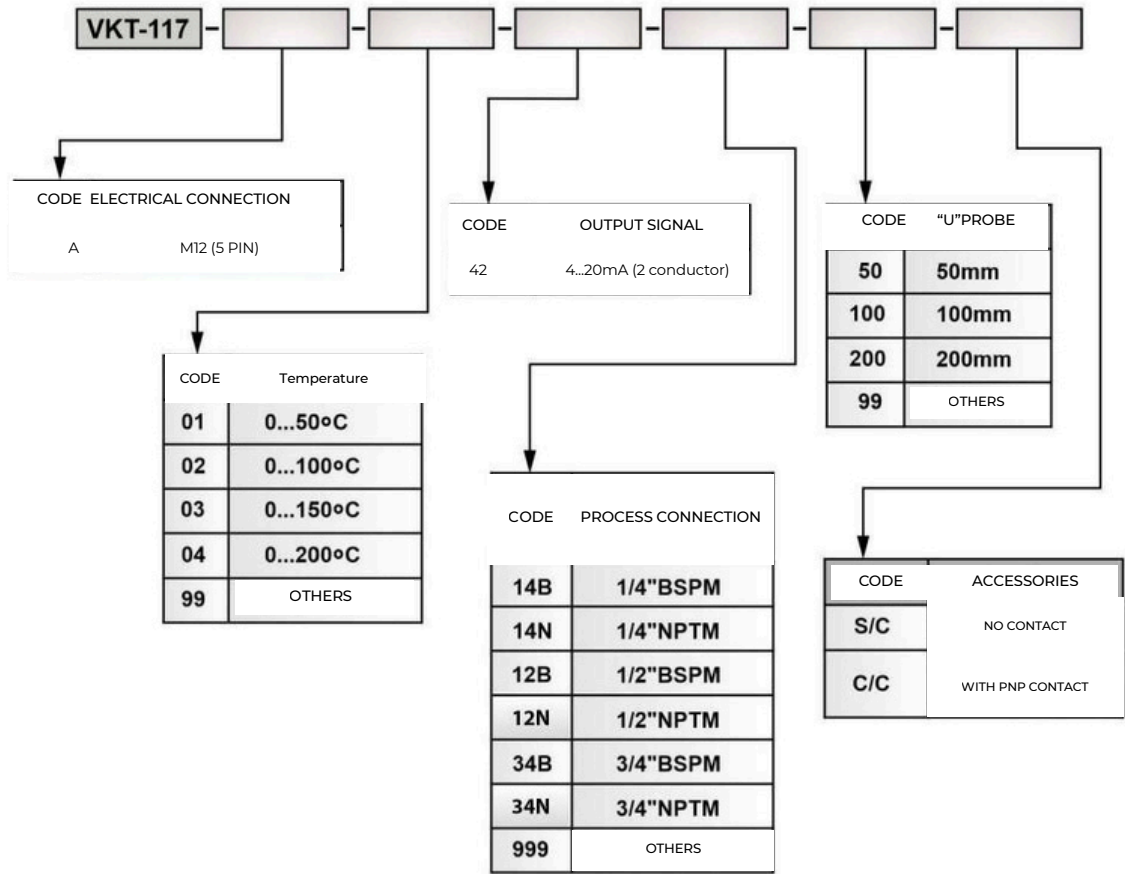




■ TECHNICAL DATA

Electrical Connection	M12 conector (5 conductor)
Protection rating	IP65
Process Connection	According to table page 02
Probe length	Min.: 02 mm Max.: 1000mm Probe diameter ø6,35mm
Enclosure Material	Anodized aluminum Enclosure diameter ø68mm
Probe material	AISI 304 stainless steel
Communication Cable	Made with PVC with 5 meters + M12 female connector
Output Signal	4...20mA (2 conductor) - (*Optional PNP contact)
Accuracy	Class B
Temperature Range	-20°...200°C
Process Pressure	Max. 10 kgf/cm ²
Power Supply	20...32VDC
Power consumption	Max 28mA
Display measurement range	2 per second
Display	Dimension ø32,5mm x 22,5mm 5 digits (-.1.9.9.9 until 9.9.9.9.9)
Electromagnetic compatibility	EN 61000-6-1: 2005 EN 61000-6-2: 2005 EN61000-6-3: 2005 EN EN61000-6-4: 2005 EN61000-2-3-2-3: 2006

■ HOW TO SPECIFY



Specification example: VKT-117-A-02-42-14B-50-CC

Description: Digital Thermometer with local indication, anodized aluminum enclosure, 1/4" BSPM process connection, 50 mm probe length, with PNP contact (optional). Supplied with 5 m M12 female connector cable.

■ WARRANTY

Due to constant technological advancement, Velki products may be modified without prior notice. Velki is always ready to clarify any doubts. Do not hesitate to contact us.

Warranty:

Every Velki product is manufactured according to the highest quality standards. All Velki products come with a 1-year warranty from the date of the invoice, provided that:

1. The product is used correctly, within the limits of its technical specifications, and in accordance with the instructions.
2. It has not suffered mechanical or electronic damage caused by accidents or misuse.
3. Its seals have not been tampered with.

Shipping costs for repairs and transportation risks (to and from) are the responsibility of the owner. Free technical support will only be provided by the factory, located at Rua Theolinda Xavier da Silveira, 255 Jd. Oliveira - Itu, SP, CEP 13312-035. Products with broken seals, that have been disassembled, modified, or subjected to mechanical or electrical overload, exceeding catalog values, or damaged due to improper mechanical or electronic installation will lose the right to warranty.

Technical Support:

Sending instruments for repairs (under warranty or not) or for periodic or eventual calibration must be previously communicated to Velki Technical Support, which will define the shipping conditions and provide instructions. Shipping costs for repairs and transportation risks (to and from) are the responsibility of the customer.

Important:

All information in this manual specifically refers to the instrument indicated. It aims to help the customer use the product properly. These instructions do not cover all possibilities: specific questions can and should be directed to Velki's Technical Support, who will be happy to assist.

Attention:

In case of any malfunction, avoid attempting to repair the instrument yourself; immediately contact Velki's Technical Support for the appropriate procedures.



In-House Manufacturing
with Specialized Team



Shipping within 4 hours



Custom Products
tailored to your needs



Guaranteed Smart Purchase
with Velki Consultancy