



TECHNICAL SPECIFICATIONS

VKP-026

Packard IP67 Pressure Transmitter

Description:

The Packard IP67 Pressure Transmitter was designed to meet industrial application requirements and to address the challenges of limited installation spaces with precision and efficiency, while supporting processes that require a Packard-type electrical connector. Its construction is entirely made of AISI 316L stainless steel, ensuring compatibility with the vast majority of industrial processes. The IP67 protection rating provides complete protection against dust and temporary immersion. The microcontroller-based electronics, built with high-quality SMD components, incorporate exclusive temperature compensation technology, making it the ideal solution for a wide range of industrial applications.

Main Applications:

- Industrial process control
- Food industry
- Refrigeration, ventilation, heating, and air conditioning (HVAC)
- Hydraulic systems
- Pneumatic systems

Operating Principle:

The piezoresistive-type pressure transmitter measures process pressure through a component known as a diaphragm, which is in direct contact with the process fluid. As the pressure varies, the diaphragm is deflected with proportional intensity. A miniature sensor located on the inner side of the diaphragm converts the pressure variation into a corresponding change in electrical resistance. An integrated electronic circuit then converts this information into a 4-20 mA current signal or a 0-10 VDC or 0-5 VDC voltage signal, compatible with virtually all automation devices, including PLCs, digital indicators, and other control systems.

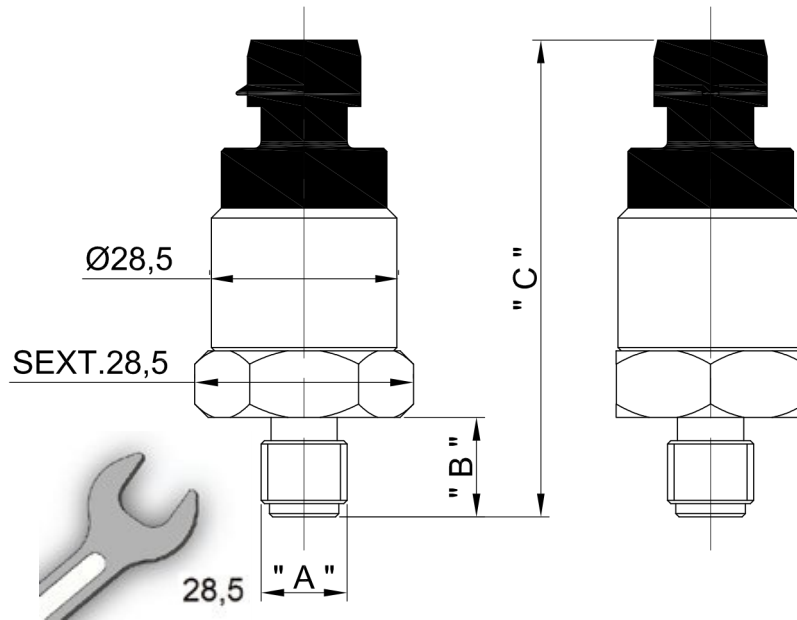
Key Features / Differentials:

- Supports temporary immersion
- Robust construction
- Ideal for use in confined or limited spaces

PRODUCT DETAILS

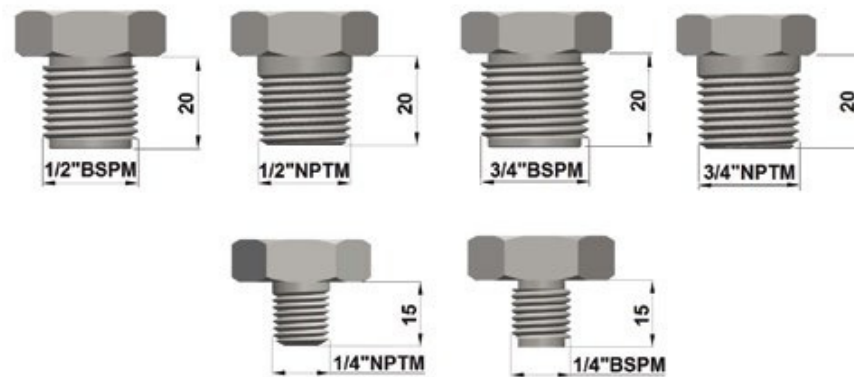


DIMENSIONAIS DATA



TECHNICAL DATA

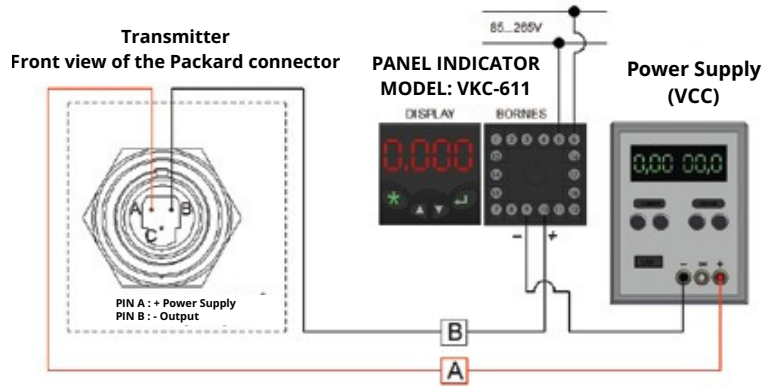
"A" THREAD	"B" THREAD LENGTH (mm)	"C" OVERALL LENGTH (mm)
1/4 " BSPM	15	82,5
1/4 " NPTM	15	82,5
1/2 " BSPM	20	87,5
1/2 " NPTM	20	87,5
3/4 " BSPM	20	87,5
3/4 " NPTM	20	87,5



■ INSTALLATION DIAGRAM

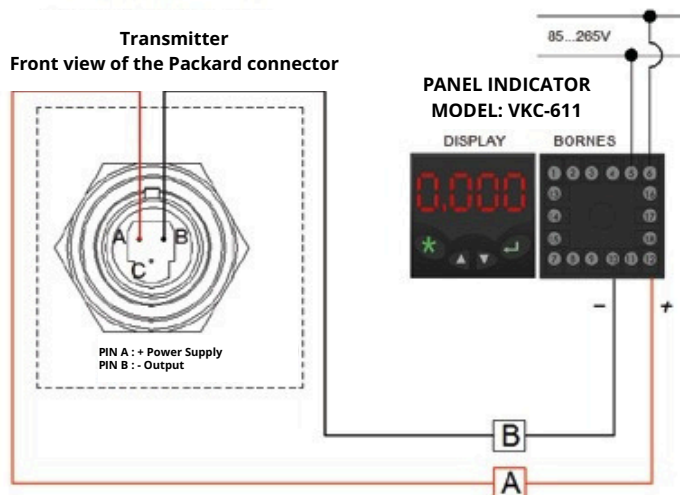
19

Packard CONNECTOR
Using an external power source
4...20mA (CURRENT) – 2-wire connection



20

PACKARD CONNECTOR
Using an internal power source

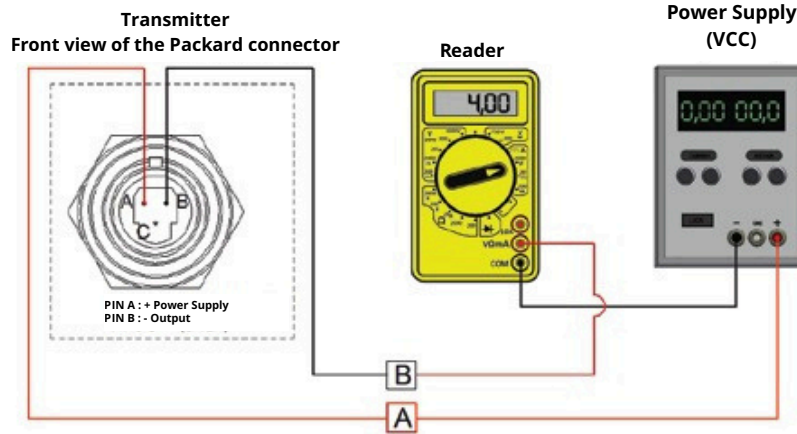


■ INSTALLATION DIAGRAM

PACKARD CONNECTOR

Using an external power source with multimeter
4...20mA (CURRENT) - 2-wire connection

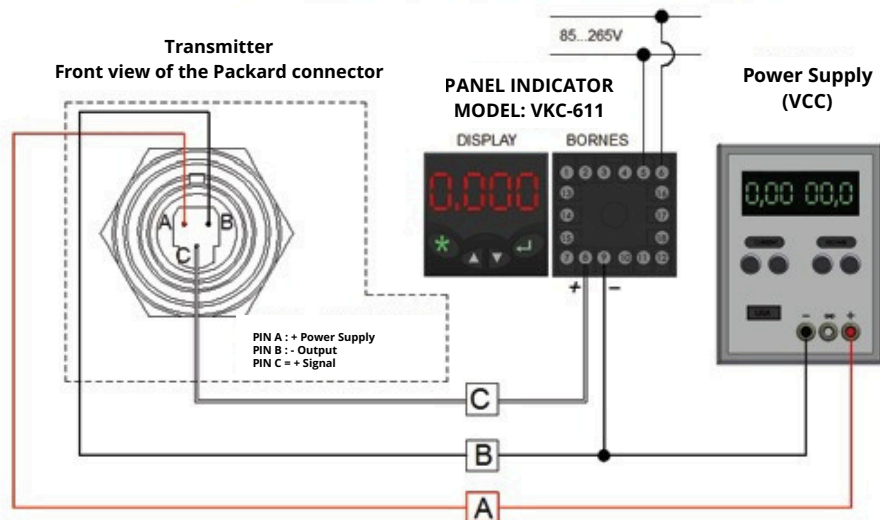
21



PACKARD CONNECTOR

Using an external power source
0...10VCC (CURRENT) and 0...5VCC- 3-wire connection

22

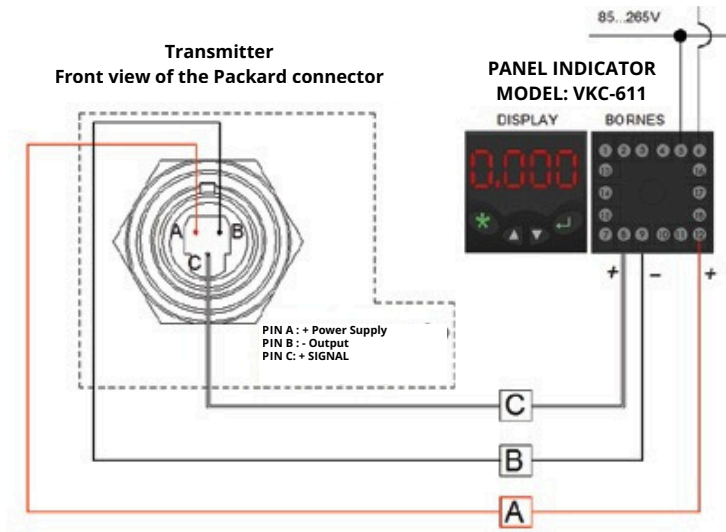


■ INSTALLATION DIAGRAM

23

PACKARD CONNECTOR

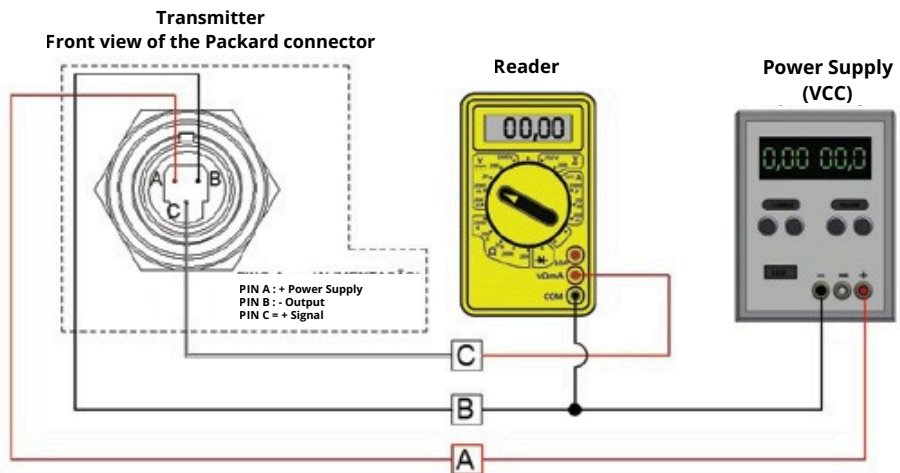
Using an internal power source with multimeter
 0...10VCC and 0...5VCC(CURRENT) – 3-wire connection



PACKARD CONNECTOR

Using an external power source with multimeter
 0...10VCC (CURRENT) and 0...5VCC- 3-wire connection

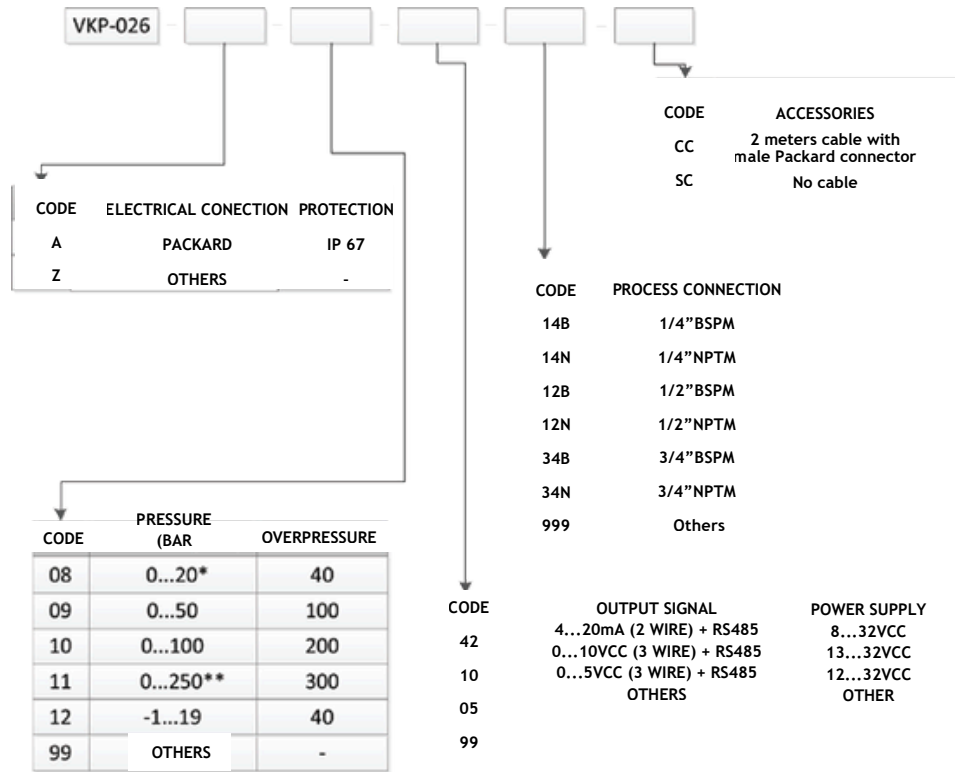
24



■ TECHNICAL DATA

Sensor Type	Piezoresistive		
Measuring Range	-1...19BAR		0...20BAR until 0...250BAR
Accuracy	+/-0,25%F.E. (Including Hysteresis and Repeatability)		
Stability	Measuring range > 2BAR = 0,1...0,2% FE Measuring range > 2BAR = 2...4mBAR		
Overpressure	According to the table		
Diaphragm Material	Stainless Steel AISI-316L		
Sensor Fill Fluid	Standard Silicone (Other options available)		
Fluid Temperature	-40°...100°C		
Ambient Temperature	-10°C ... 80°C		
Enclosure Material	Stainless Steel AISI-316L		
Protection Rating	IP67		
Electrical Connection Type	PACKARD		
Communication Cable	Made of PVC (OPTIONAL)		
Connection Material	Stainless Steel AISI-316L		
Process Connection	1/4"BSP, 1/4"NPT, 1/2"BSP, 1/2"NPT, 3/4"BSP, 3/4"NPT and Others		
Material in Contact with the Process	Stainless Steel AISI-316L + O-Ring in FPM (Fluorocarbon). Other material combinations available.		
Output Signal	4...20mA	0...10VCC	0...5VCC
Output Signal Limit	3,2...22,3mA	-1,2...11,2V	-0,6...5,6V
Power Supply	8...32VDC	12...32VDC	8...32VDC
Load Resistance	<(U-8) / 0,025	>5kΩ	>5kΩ
Frequency Limit	2kHz	2kHz	2kHz
Power Consumption	Max. 24mA	Max. 5mA	Max. 5mA
Response Time	(0-99%) < 5ms		
Electromagnetic Compatibility	EN 61000-6-2: 2005 EN61000-6-3: 2005 EN61326-2-3: 2006		

■ HOW TO SPECIFY



*MIN. RANGE AVAILABLE FOR VKP 026
 **MAX RANGE AVAILABLE FOR VKP 026

■ WARRANTY

Due to constant technological advancement, Velki products may be modified without prior notice. Velki is always ready to clarify any doubts. Do not hesitate to contact us.

Warranty:

Every Velki product is manufactured according to the highest quality standards. All Velki products come with a 1-year warranty from the date of the invoice, provided that:

1. The product is used correctly, within the limits of its technical specifications, and in accordance with the instructions.
2. It has not suffered mechanical or electronic damage caused by accidents or misuse.
3. Its seals have not been tampered with.

Shipping costs for repairs and transportation risks (to and from) are the responsibility of the owner. Free technical support will only be provided by the factory, located at Rua Theolinda Xavier da Silveira, 255 Jd. Oliveira - Itu, SP, CEP 13312-035. Products with broken seals, that have been disassembled, modified, or subjected to mechanical or electrical overload, exceeding catalog values, or damaged due to improper mechanical or electronic installation will lose the right to warranty.

Technical Support:

Sending instruments for repairs (under warranty or not) or for periodic or eventual calibration must be previously communicated to Velki Technical Support, which will define the shipping conditions and provide instructions. Shipping costs for repairs and transportation risks (to and from) are the responsibility of the customer.

Important:

All information in this manual specifically refers to the instrument indicated. It aims to help the customer use the product properly. These instructions do not cover all possibilities: specific questions can and should be directed to Velki's Technical Support, who will be happy to assist.

Attention:

In case of any malfunction, avoid attempting to repair the instrument yourself; immediately contact Velki's Technical Support for the appropriate procedures.



In-House Manufacturing
with Specialized Team



Shipping within 4 hours



Custom Products
tailored to your needs



Guaranteed Smart Purchase
with Velki Consultancy